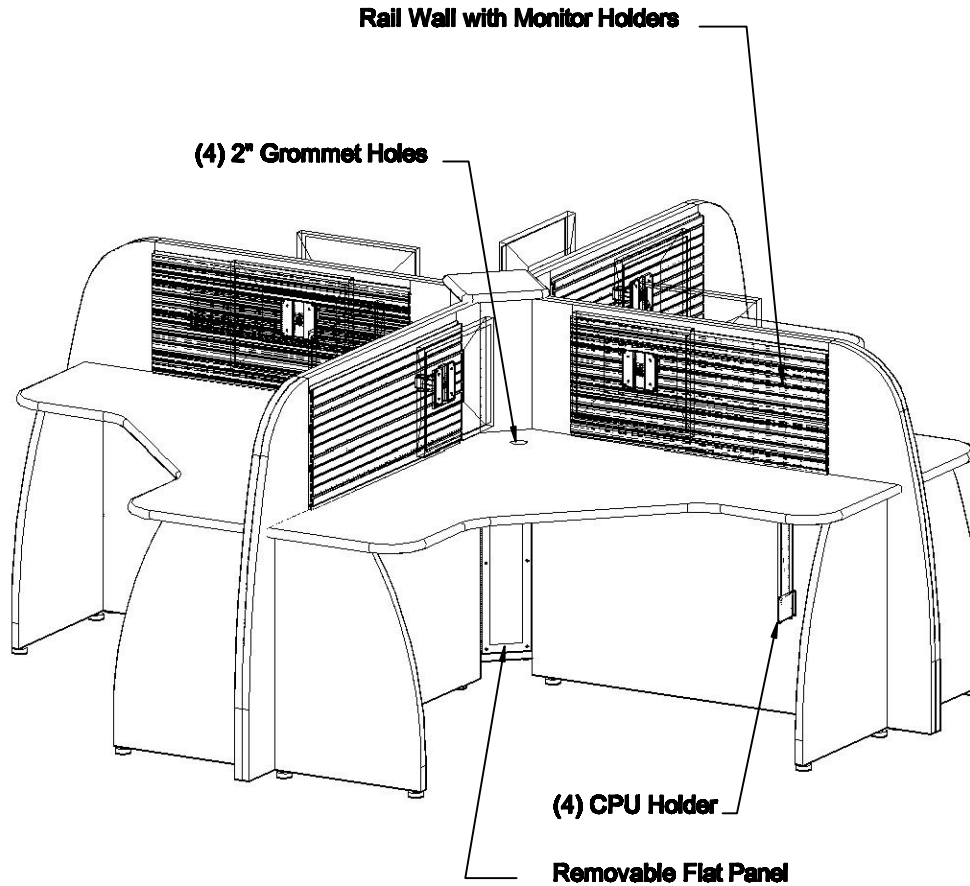
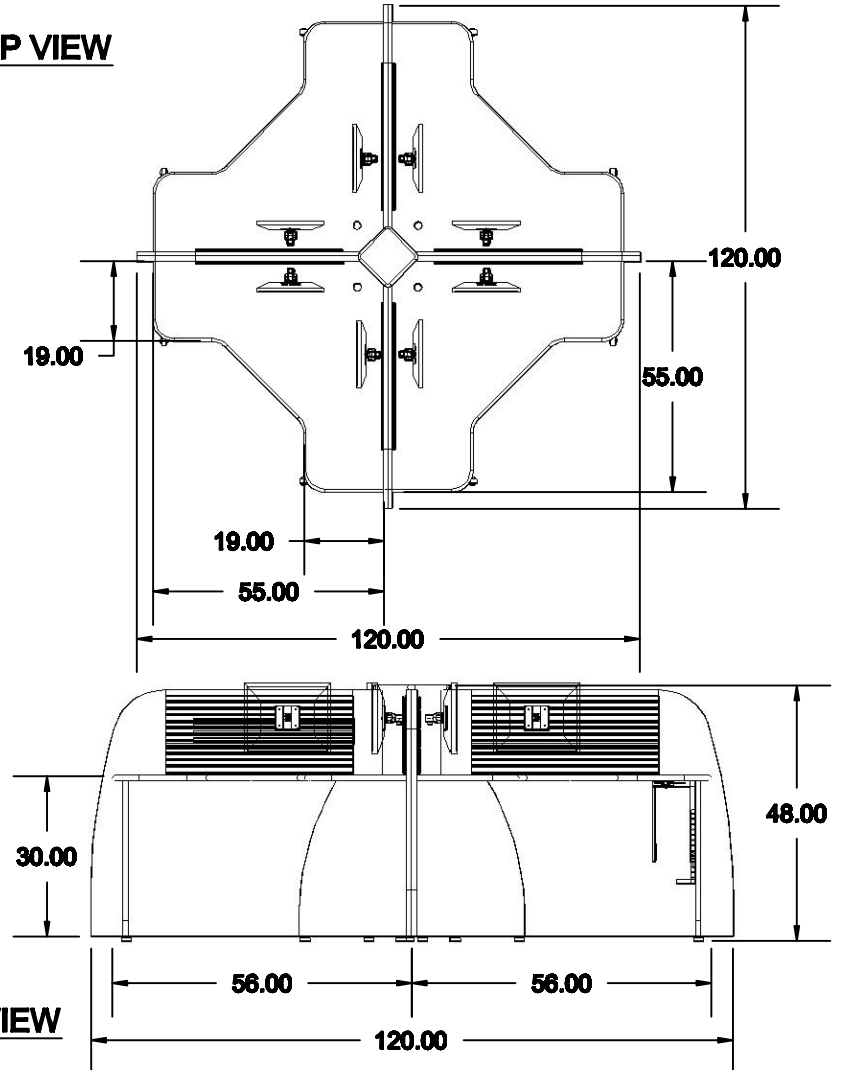


ISOMETRIC VIEW



TOP VIEW



SIDE VIEW

NOTES:

MATERIAL:

DRAWN BY: KH

DATE: 11-16-10

DESCRIPTION:

APPROVED

ENG:

MFG:

QA:

USED ON:

PATH:

K:\Customers\Carrol County

PDF NAME:

Command Center

REV: SIZE A

TOLERANCES UNLESS OTHERWISE SPECIFIED

FRACTIONAL ±1/64

2 PLC. DEC. ±.01

3 PLC. DEC. ±.001

ANGULAR

FINISH



NOT TO SCALE

SHEET: 1 OF 1